

Join Seating

Green Theory™



Join Seating

A minimal approach to bench form. Made from marine grade aluminum and thermally modified ash, we've designed Join Seating to fit seamlessly into the Join Modular Planter and Edging systems.



Join Seating

Join Seating was designed to be a modular component of the Join System but also holds its own as a stand alone seating piece. Minimal, elegant, and classic, this series of benches feature a simple base and a bench top with wood that is used in both "end to end" and "front to back" configurations. The Join Seating size options are determined by the custom profiled timber we use to build them so that proportions remain consistent and thoughtful.

Download Spec Sheets

End to End Specification Drawings: See page 26/27

Front to Back Specification Drawings: See page 28/29

Components

1. Bench Base: Welded Aluminum
2. Bench Top: Welded Aluminum, Thermally Modified Timber

A
End to end wood configuration runs the length of a bench up to 6', providing a subtle reveal between elements.

B
Front to back configuration allows for longer seamless bench tops.

C
Join seating connects to edging and modular planters in a way that integrates elements together as one.

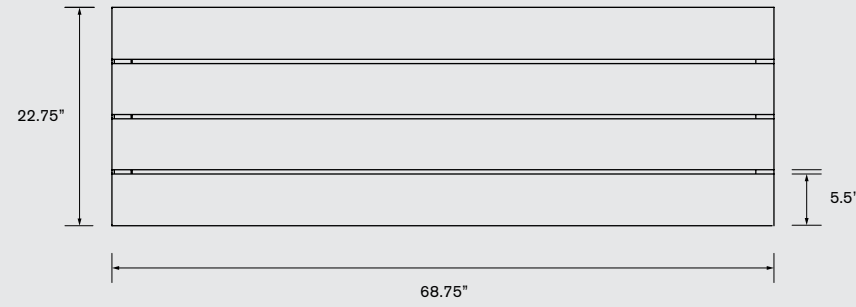
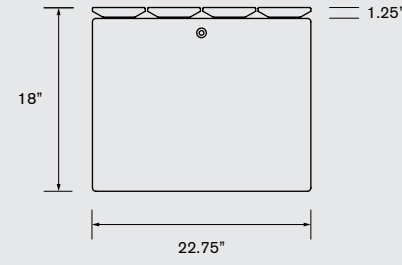
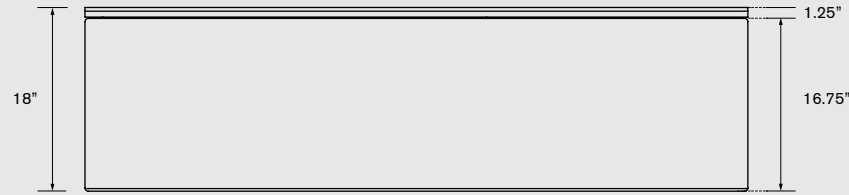
D
Seating bases are powder coated to match a modular planter program or as a stand alone piece.

Seating

68.75 End to End Wood Placement
JS-EE-6875

Dimensions:
L 68.75" W 22.75" H 18"

[Download](#)

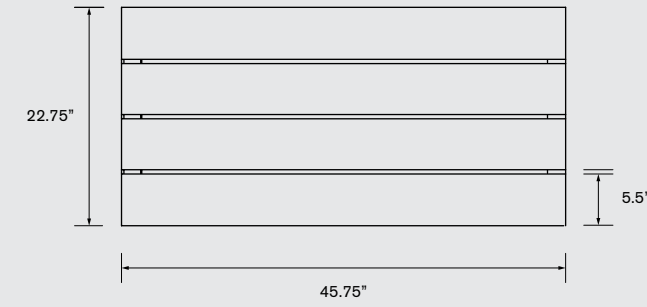
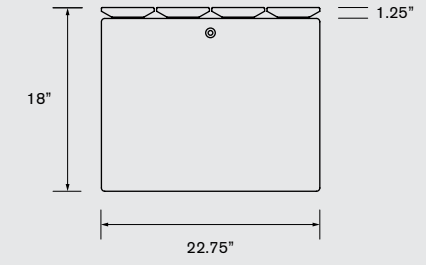
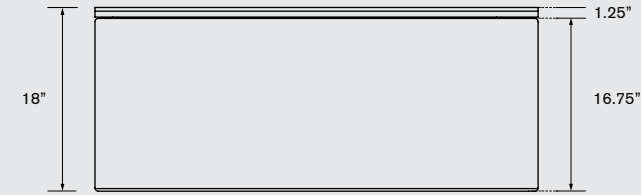


Seating

45.75 End to End Wood Placement
JS-EE-4575

Dimensions:
L 47.75" W 22.75" H 18"

[Download](#)

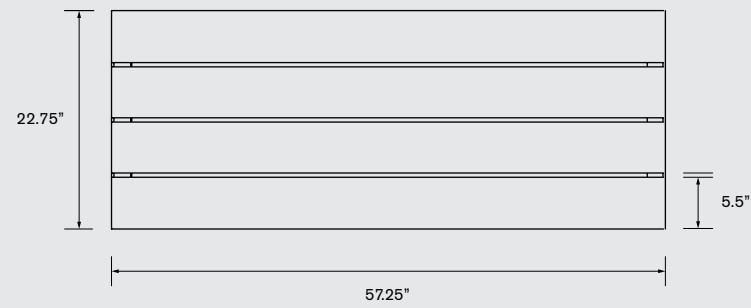
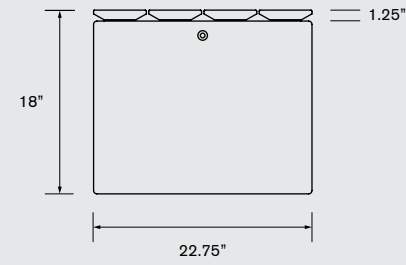
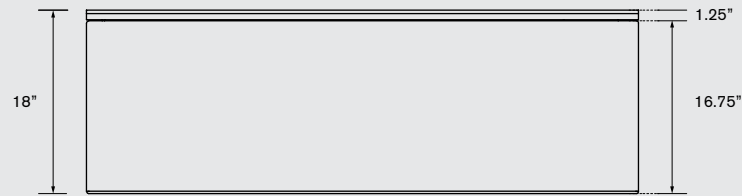


Seating

57.25 End to End Wood Placement
JS-EE-5725

Dimensions:
L 57.25" W 22.75" H 18"

[Download](#)

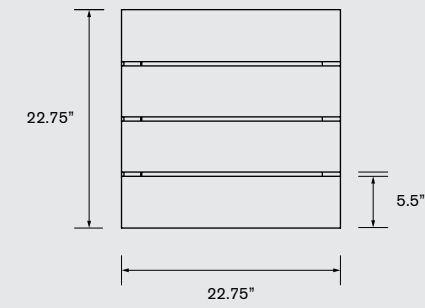
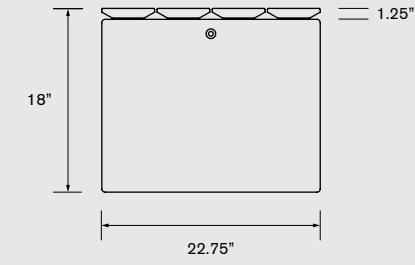
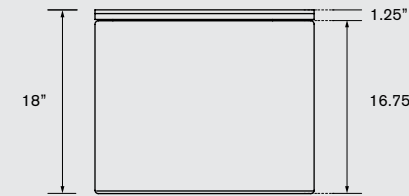


Seating

22.75 End to End Wood Placement
JS-EE-2275

Dimensions:
L 22.75" W 22.75" H 18"

[Download](#)

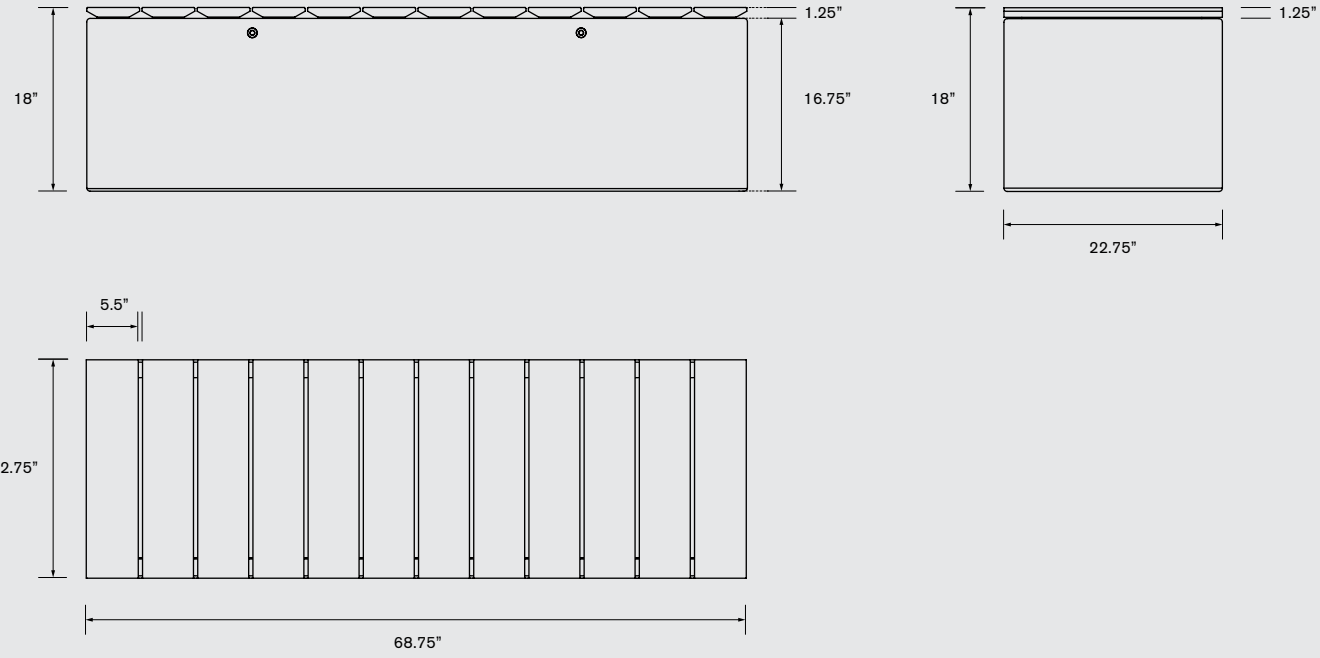


Seating

68.75 Front to Back Wood Placement
JS-FB-6875

Dimensions:
L 68.75" W 22.75" H 18"

[Download](#)

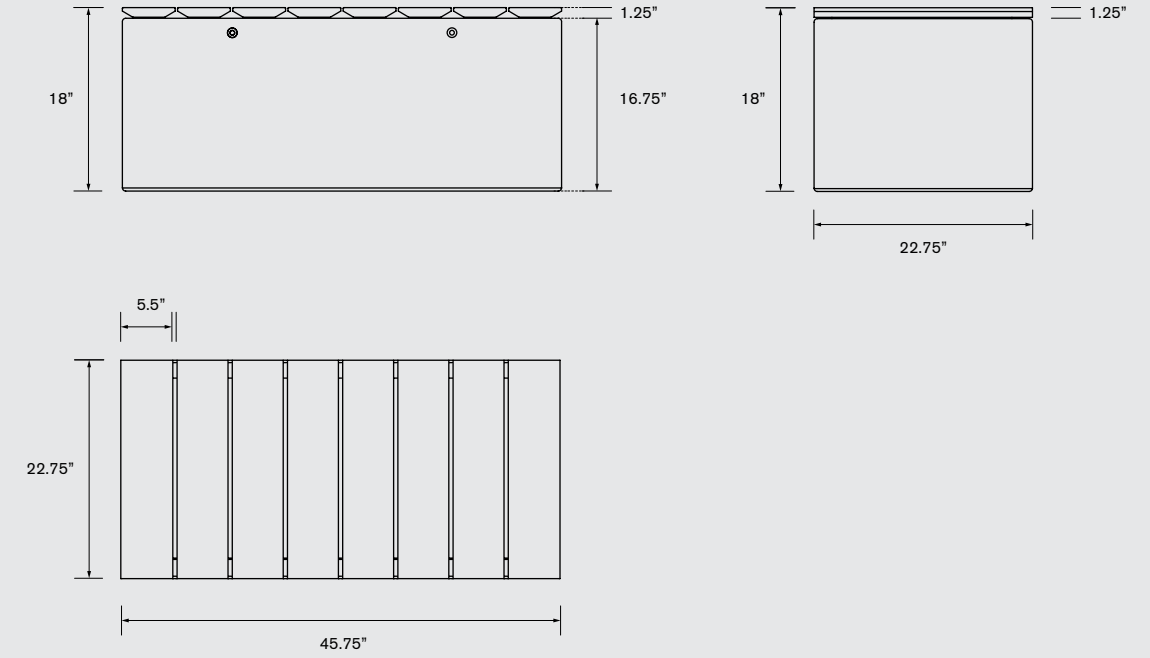


Seating

45.75 Front to Back Wood Placement
JS-FB-4575

Dimensions:
L 47.75" W 22.75" H 18"

[Download](#)

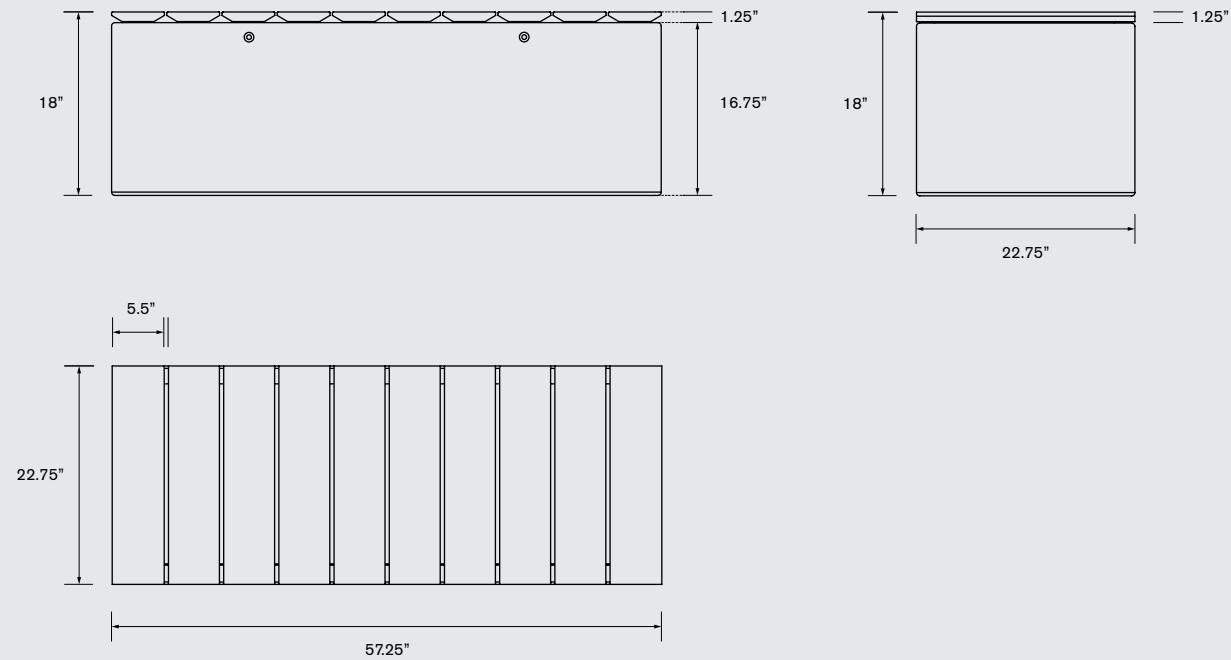


Seating

57.25 Front to Back Wood Placement
JS-FB-5725

Dimensions:
L 57.25" W 22.75" H 18"

[Download](#)

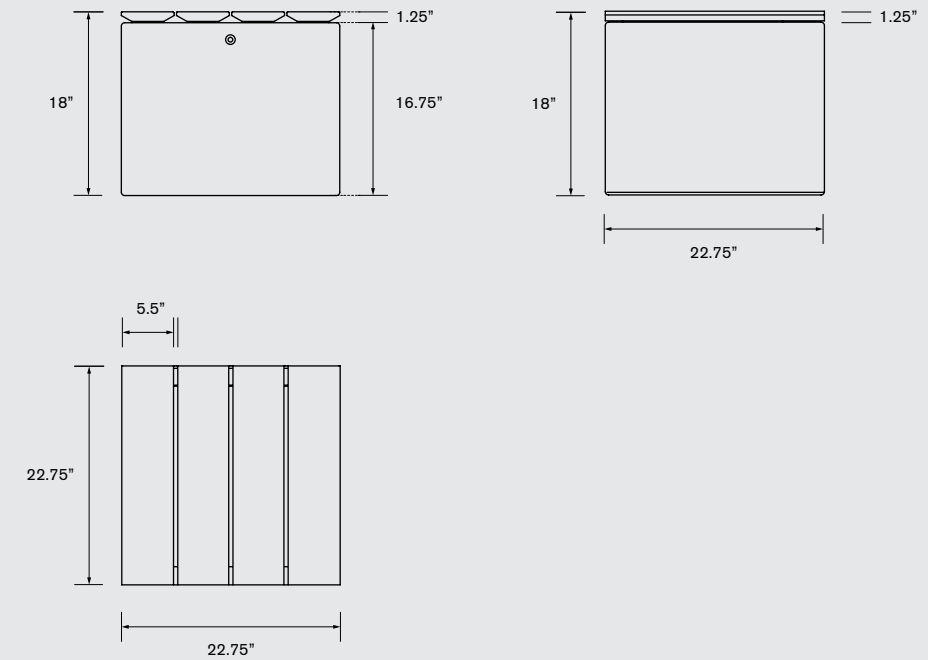


Seating

22.75 Front to Back Wood Placement
JS-FB-2275

Dimensions:
L 22.75" W 22.75" H 18"

[Download](#)



About Us

Green Theory specializes in custom planters and site furnishings for the modern landscape. Serving all of North America, our design and manufacturing standards have secured our reputation as a leader in the landscape architecture industry. As we grow, our desire to collaboratively shape the future of outdoor space remains central to our mission.

East

1523 Bell Mill Side Rd.
Tillsonburg, ON N4G 2R9

West

804 1515 Broadway St.
Port Coquitlam BC V3C 6M2

Toll Free

1 844 747 9283