

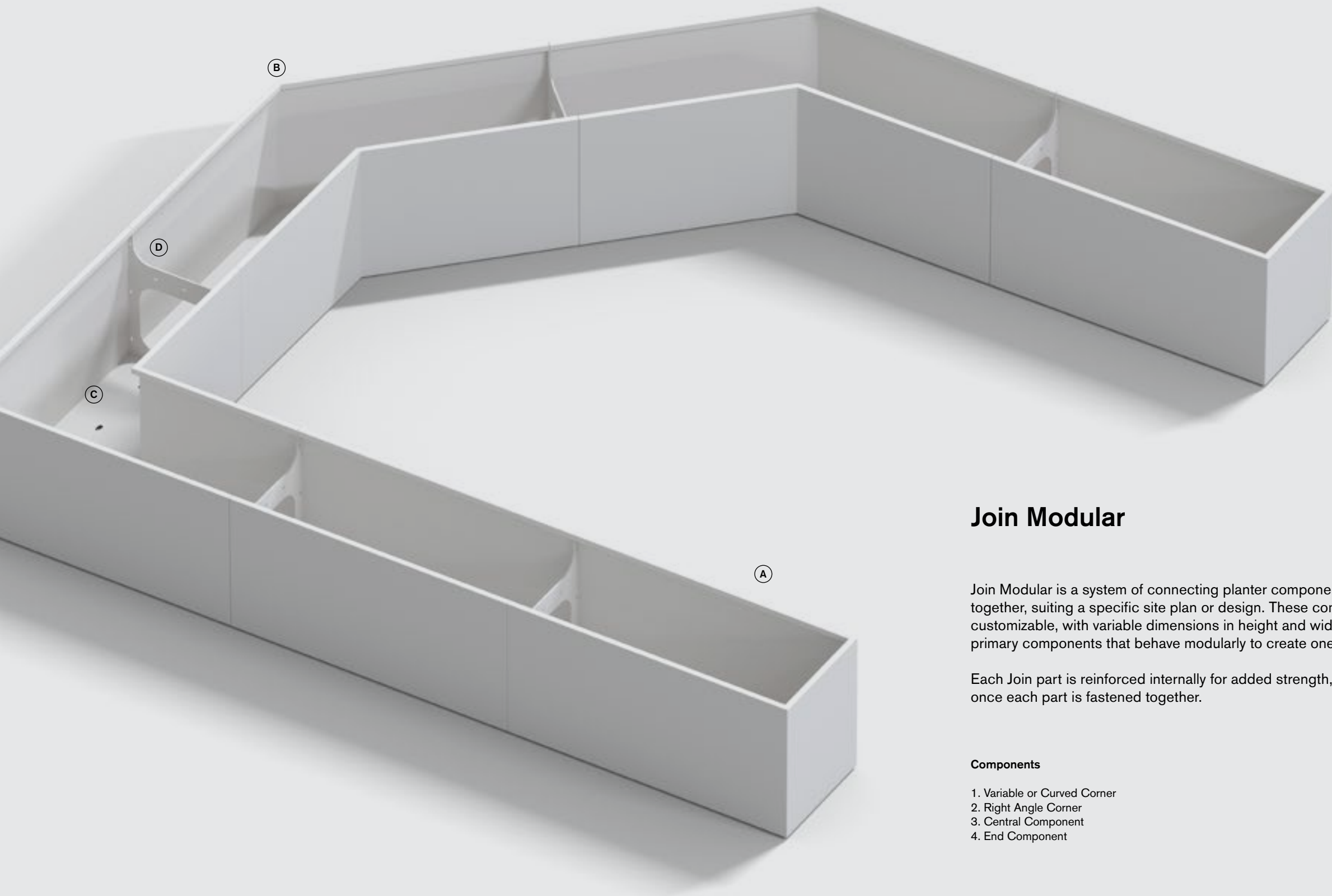
Join Modular
Planters & Seating

Green Theory™

The Join System

Constructed of marine grade aluminum or weathering steel, Join Modular Planter, Edging and Seating profiles bolt together to create an array of small or large configurations for engaging outdoor spaces. Join is ultra versatile and can be employed to create a completely custom planter system designed specifically for a project.





Join Modular

Join Modular is a system of connecting planter components designed to be fastened together, suiting a specific site plan or design. These components are each highly customizable, with variable dimensions in height and width. The system includes four primary components that behave modularly to create one larger configuration.

Each Join part is reinforced internally for added strength, contributing to the whole once each part is fastened together.

Components

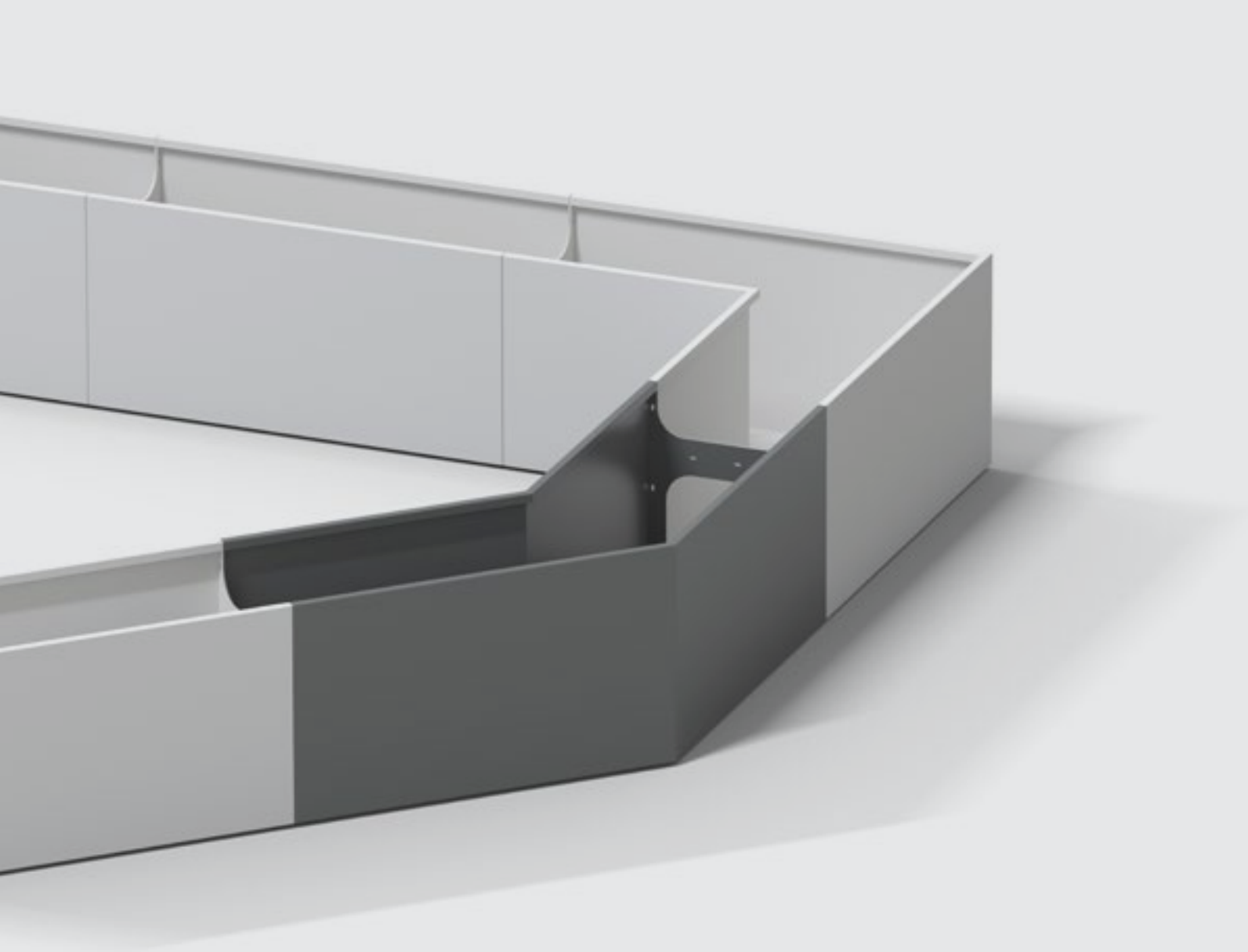
1. Variable or Curved Corner
2. Right Angle Corner
3. Central Component
4. End Component

A
Double return top lip provides strength to planter wall and accommodates internal gusseting.

B
Variable angle includes acute angles up to 13 degrees as well as curves.

C
Planter bottom includes laser cut drainage holes and optional anchor points.

D
Internal gussets provide strength to the planter component and anchor points for fastening.

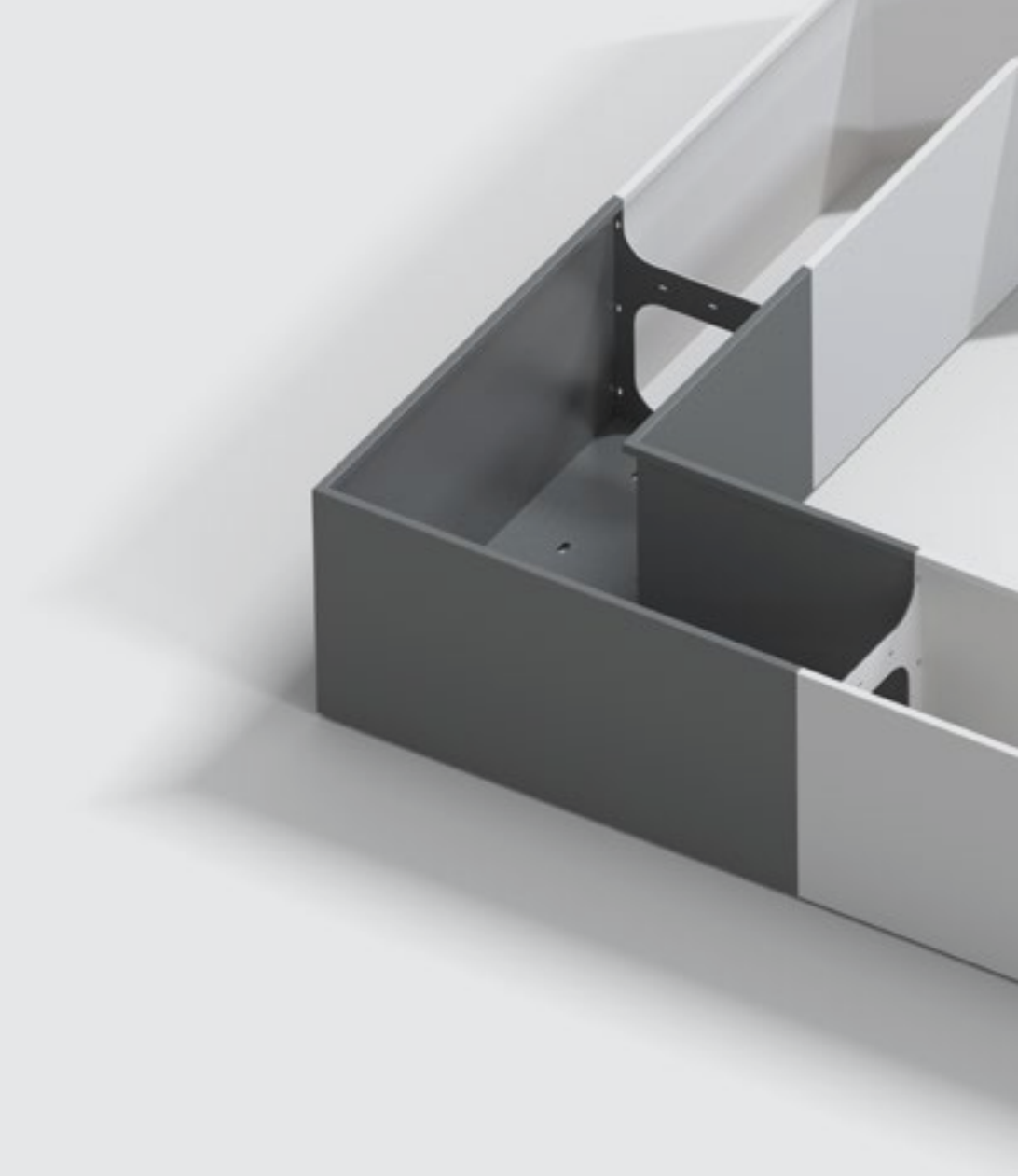


Variable Corner

A variable corner component is a central part of the Join System, allowing for variable angles that direct a series of Join components in different directions. This component is illustrated below as a central part of a system but is also available in acute angles, curves and as a terminating component.

[Download Spec Sheet](#)

Specifications Drawing: See page 22

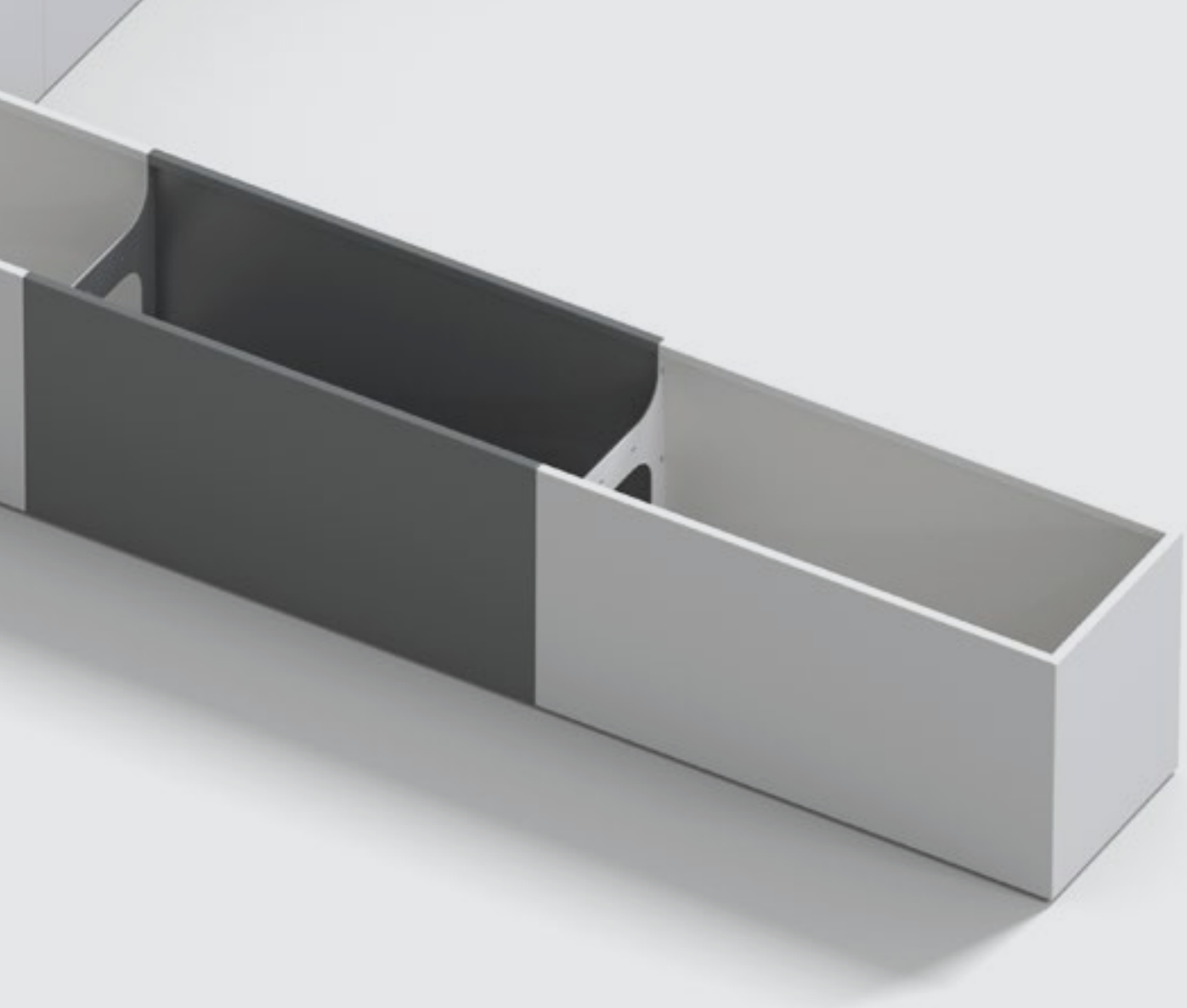


Right Angle Corner

A right angle corner component is a central part of the Join System, allowing for a 90 degree angle that directs a series of Join components in a perpendicular direction. This component is illustrated below as a central part of a system but is also available as a terminating component.

[Download Spec Sheet](#)

Specifications Drawing: See page 22

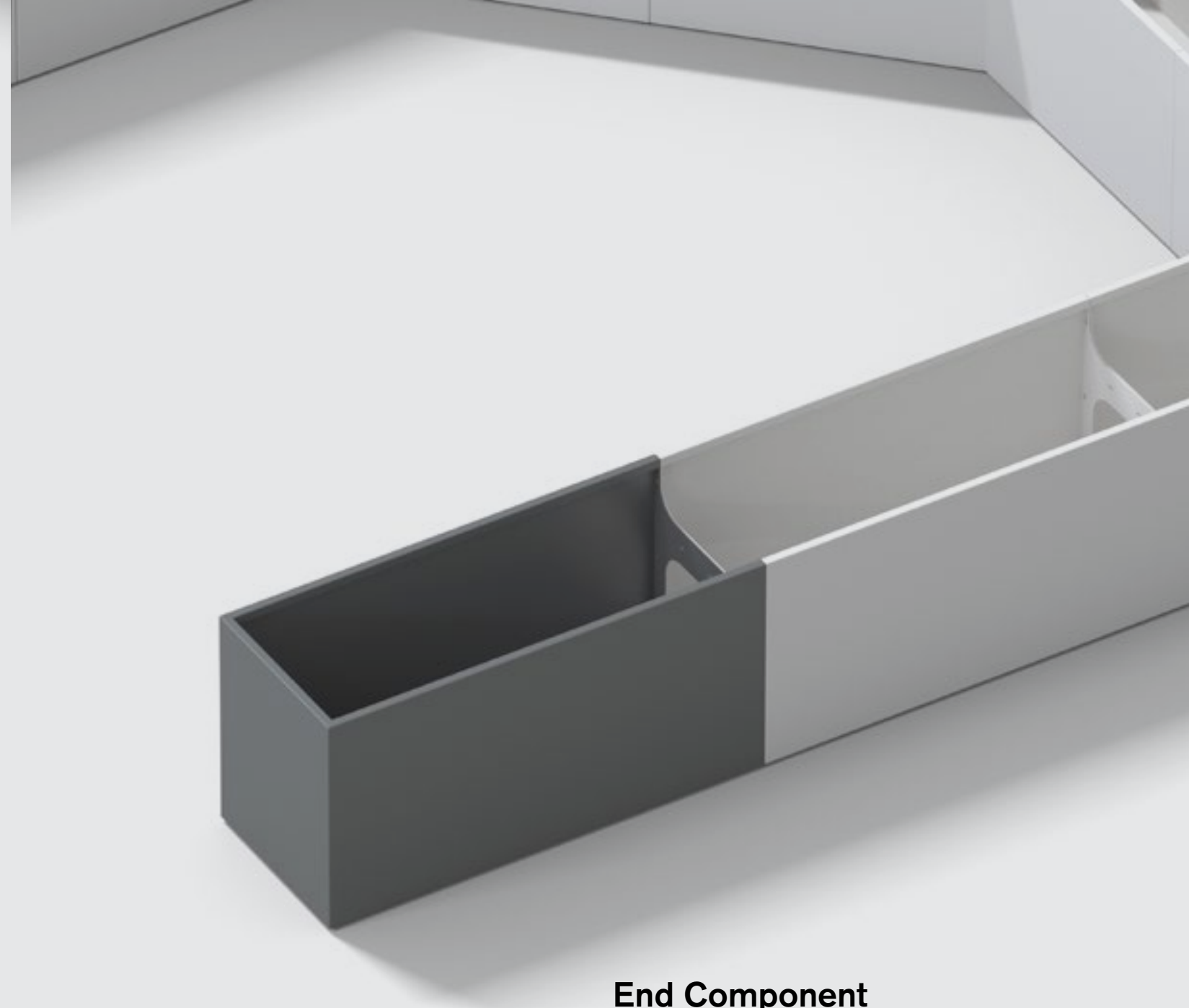


Central Component

Allowing for variable angles that direct a series of Join planters. This component is illustrated below as a central part of the system but is also available as a terminating component.

[Download Spec Sheet](#)

Specifications Drawing: See page 23

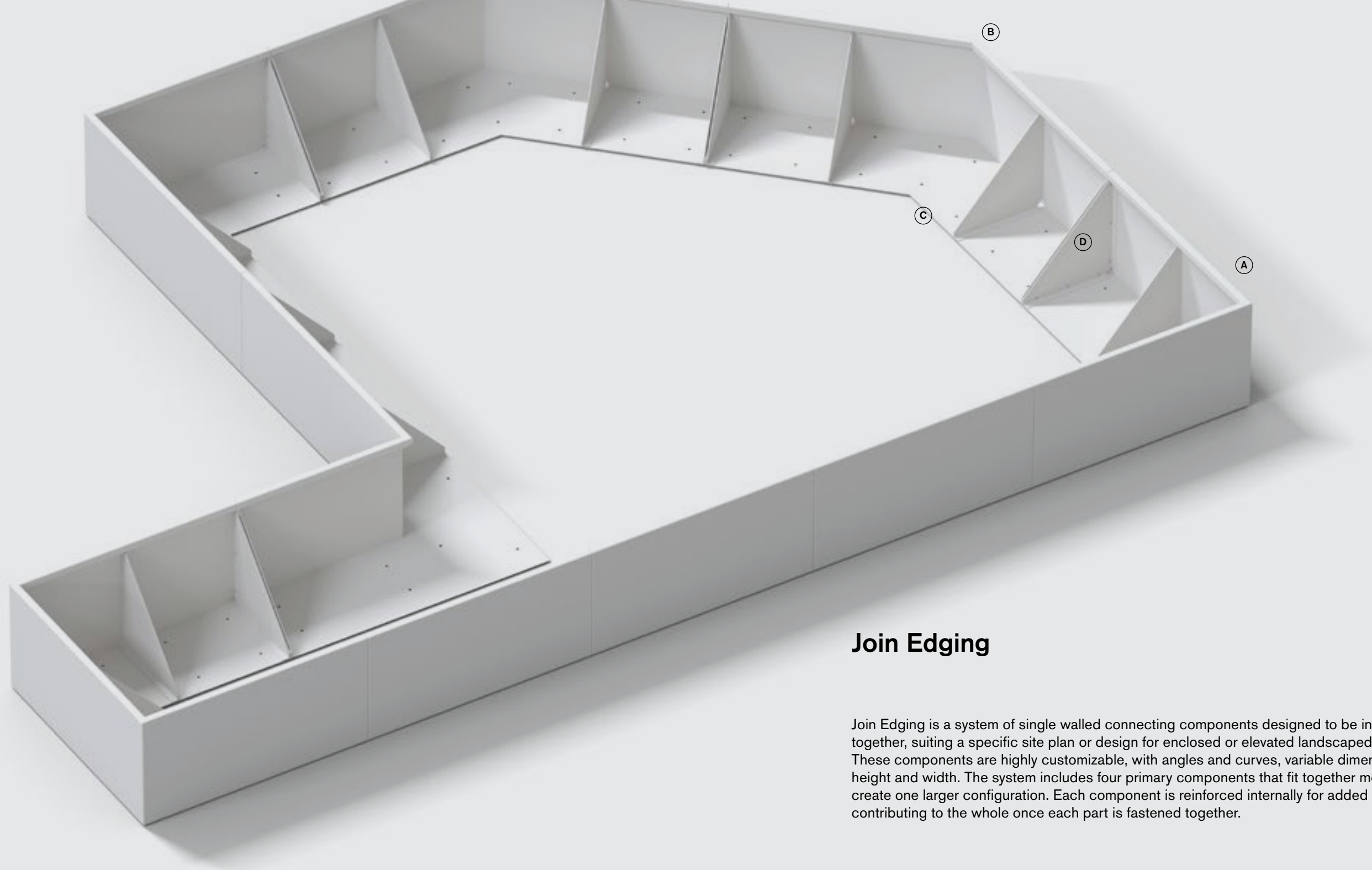


End Component

A right angle corner component is can be a central part of the join system, allowing for a 90 degree angle that directs a series of Join planters in a perpendicular direction. This component is illustrated below as a central part of a system but is also available as a terminating component.

[Download Spec Sheet](#)

Specifications Drawing: See page 23



Join Edging

Join Edging is a system of single walled connecting components designed to be integrated together, suiting a specific site plan or design for enclosed or elevated landscaped areas. These components are highly customizable, with angles and curves, variable dimensions in height and width. The system includes four primary components that fit together modularly to create one larger configuration. Each component is reinforced internally for added strength, contributing to the whole once each part is fastened together.

Components

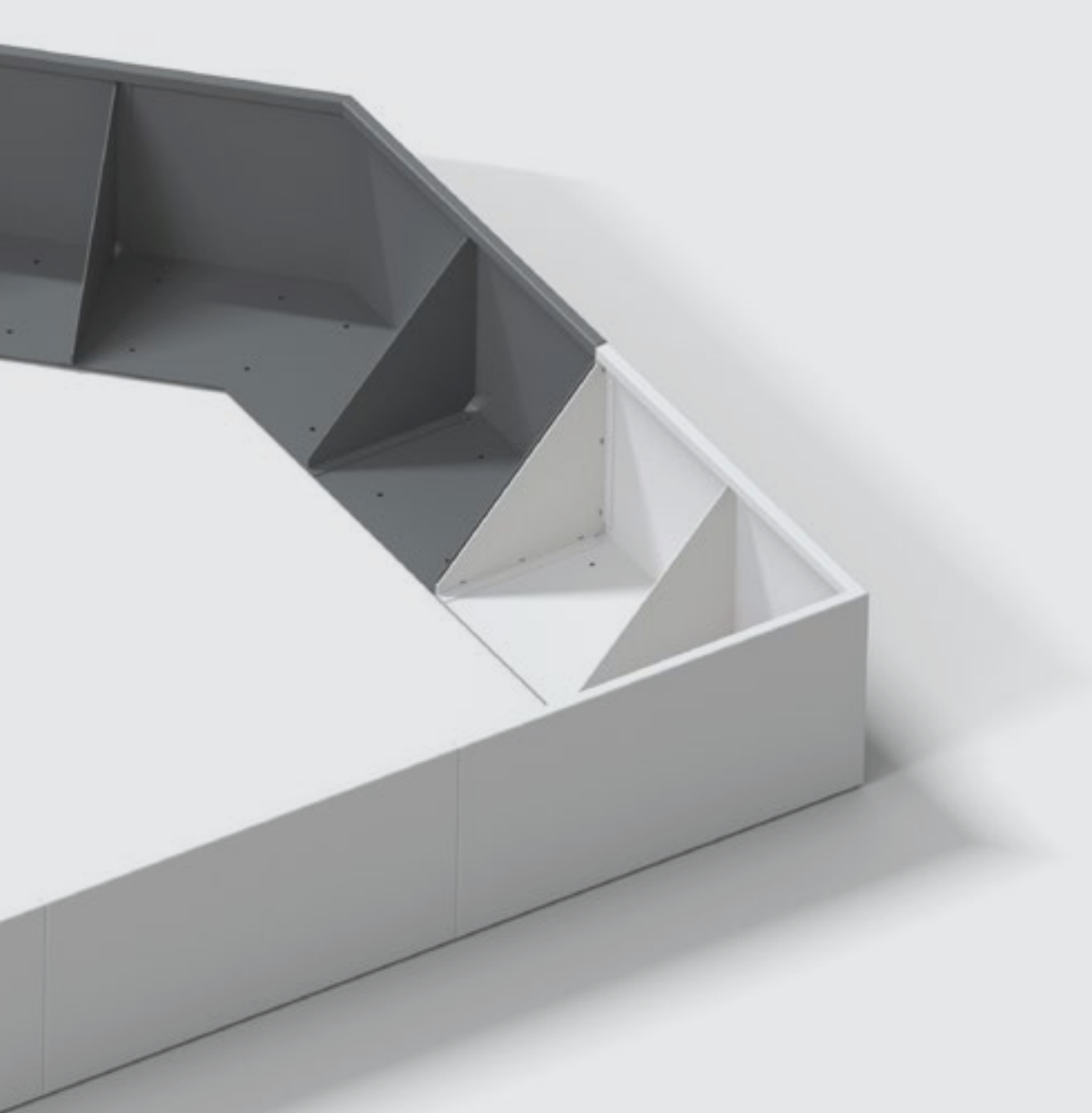
1. Variable or Curved Angle
2. Cap
3. Right Angle
4. Variable Central

A
Double return top lip provides strength to planter wall and accommodates internal gusseting.

B
Variable angle includes acute angles up to 13 degrees as well as curves.

C
Edging bottom includes laser cut anchor holes, optional drainage, kicks, and more.

D
A tested internal gusset system provides strength to the planter component and anchor points for fastening.



Variable Angle

Allowing for variable angles and curves that direct a series of Join edging components. This Variable Angle component is illustrated below as a central part of the system but is also available as a terminating component.

[Download Spec Sheet](#)

Specifications Drawing: See page 24

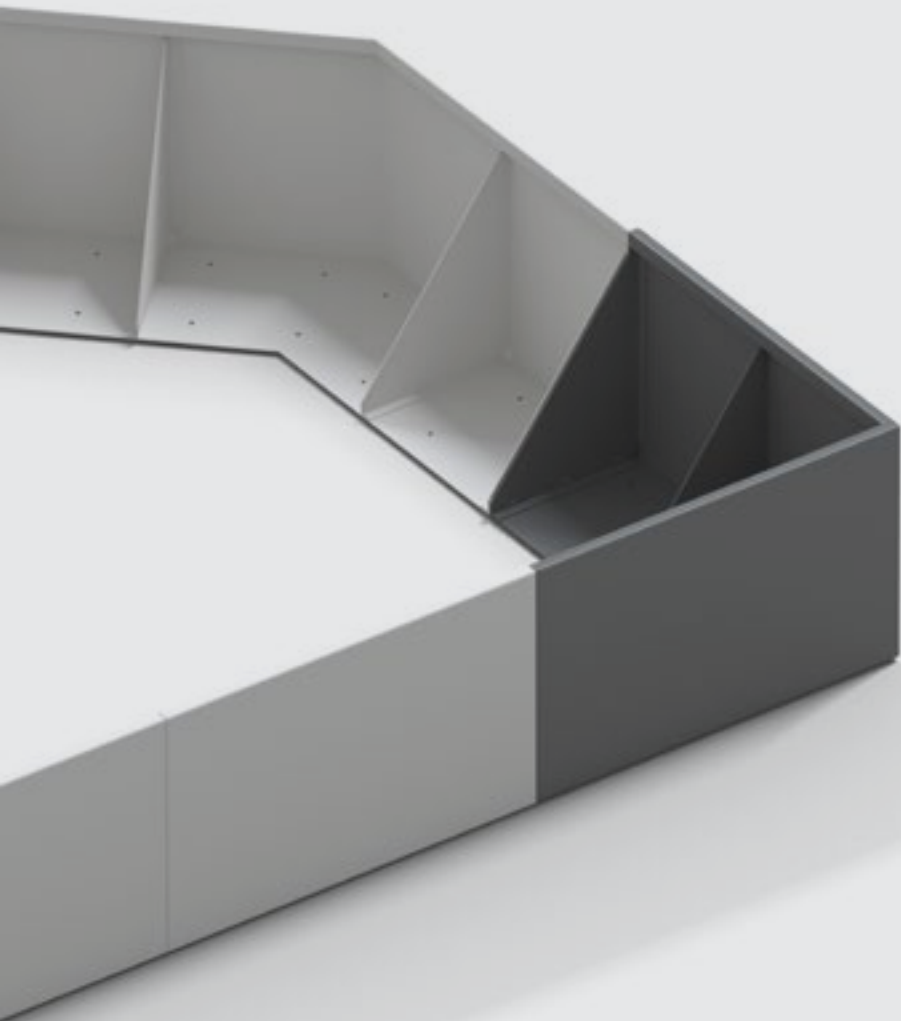


Cap

A Terminating or continuing cap allows the system to facilitate a "U" shape in the join system, allowing for a 90 degree angles that directs a series of Join edging in a perpendicular direction.

[Download Spec Sheet](#)

Specifications Drawing: See page 24

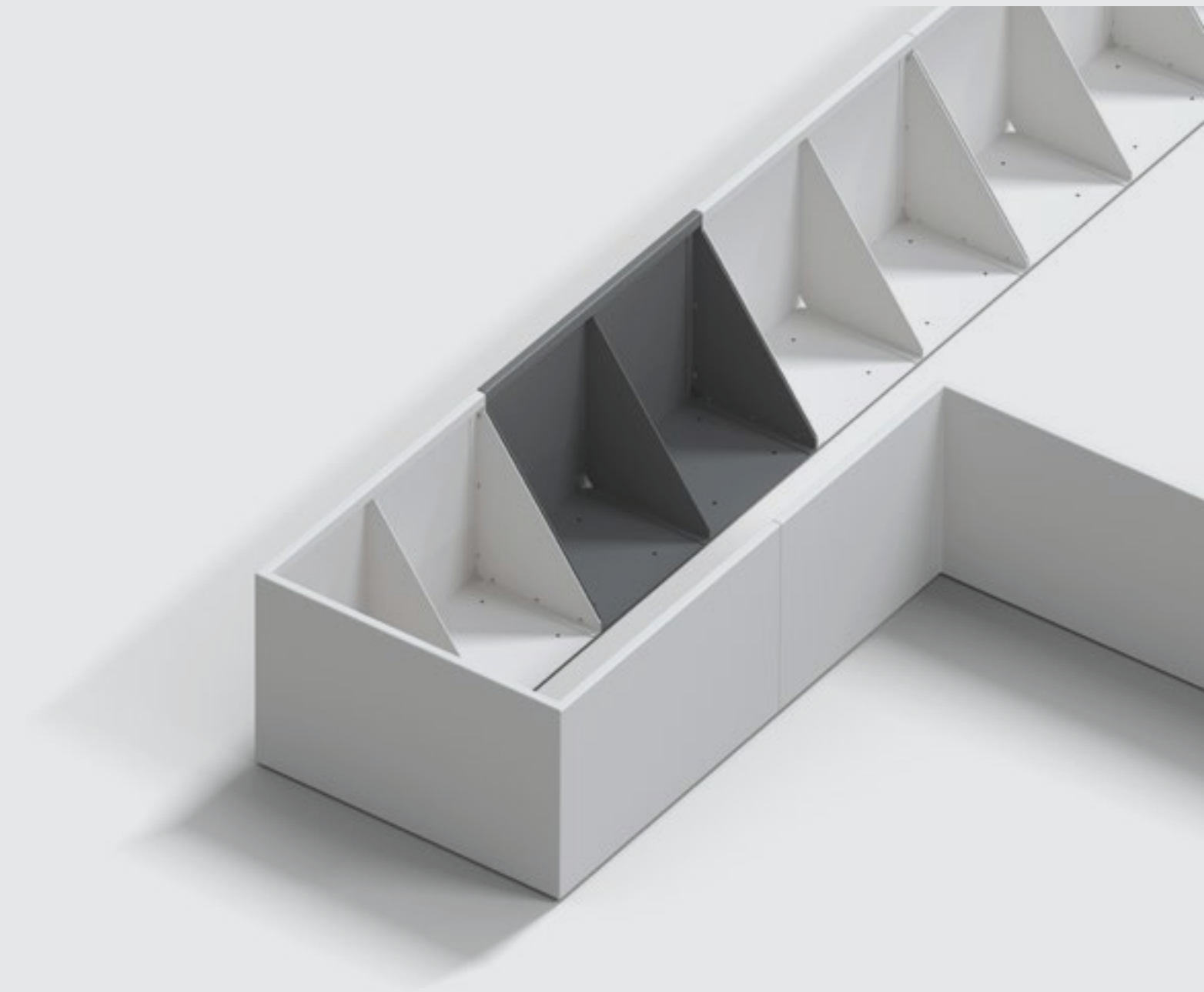


Right Angle

Allowing for variable angles that direct a series of Join edging. This component is illustrated below as a central part of the system but is also available as a terminating component.

[Download Spec Sheet](#)

Specifications Drawing: See page 25



Variable Central

A central component is designed to add length to a run of edging, providing added strength through internal bracing, as well as featuring a seamless connection profile between components. Central components are a popular solution for straight runs of elevated planted areas.

[Download Spec Sheet](#)

Specifications Drawing: See page 25

A photograph of a wooden bench with a person sitting on it and another person walking past in the foreground, blurred. The bench is made of light-colored wood planks. The person sitting on the bench is wearing a light-colored shirt. The person walking past is wearing a light-colored dress and is blurred, suggesting motion. The background is dark.

Join Seating

A minimal approach to bench form. Made from marine grade aluminum and thermally modified ash, we've designed Join Seating to fit seamlessly into the Join Modular Planter and Edging systems.



Join Seating

Join Seating was designed to be a modular component of the Join System but also holds its own as a stand alone seating piece. Minimal, elegant, and classic, this series of benches feature a simple base and a bench top with wood that is used in both "end to end" and "front to back" configurations. The Join Seating size options are determined by the custom profiled timber we use to build them so that proportions remain consistent and thoughtful.

Download Spec Sheets

End to End Specification Drawings: See page 26/27

Front to Back Specification Drawings: See page 28/29

Components

1. Bench Base: Welded Aluminum
2. Bench Top: Welded Aluminum, Thermally Modified Timber

A
End to end wood configuration runs the length of a bench up to 6', providing a subtle reveal between elements.

B
Front to back configuration allows for longer seamless bench tops.

C
Join seating connects to edging and modular planters in a way that integrates elements together as one.

D
Seating bases are powder coated to match a modular planter program or as a stand alone piece.

Specifications

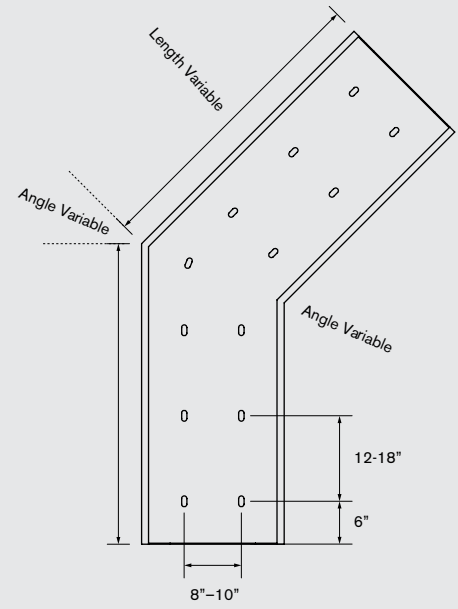
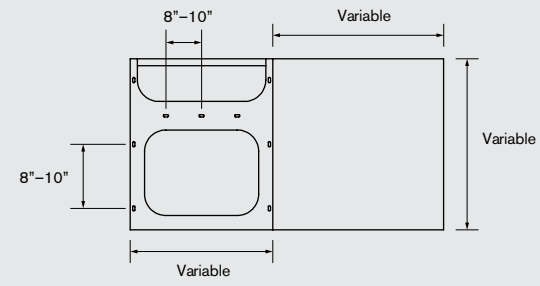
We set out to design a planter and seating system so customizable that most dimensions remain variable. The product is truly marked by construction methods and industry standard qualities like structural integrity, drainage, assembly methods and a myriad of features and add ons.

Modular

Variable Corner
JM-VA

Dimensions:
Variable

[Download](#)

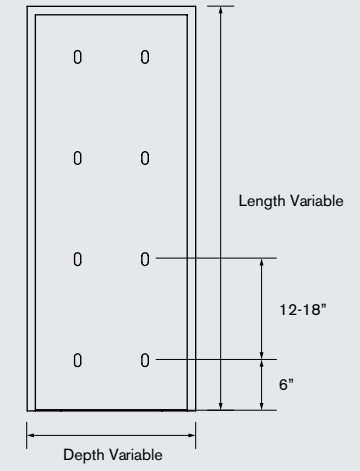
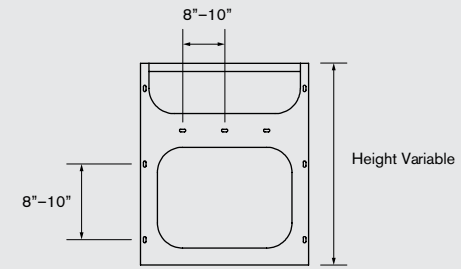


Modular

Central Component
JM-CC

Dimensions:
Variable

[Download](#)

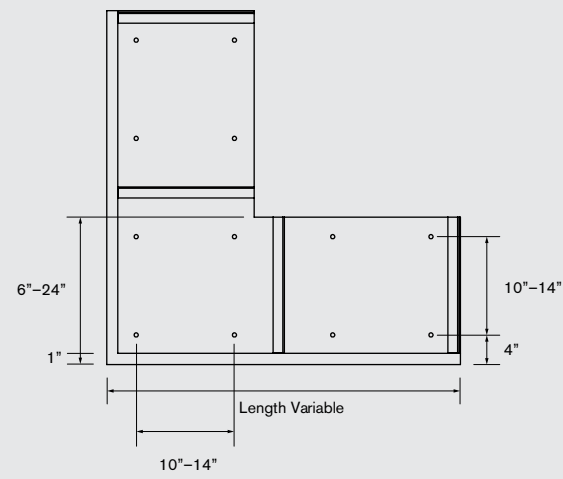
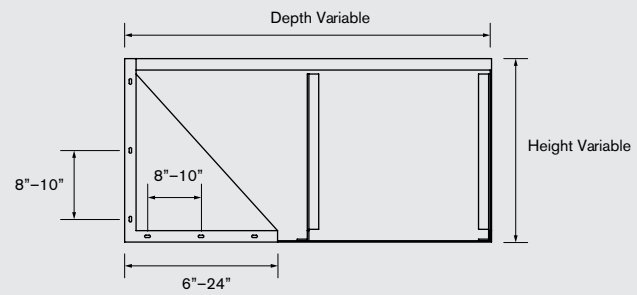


Modular

Right Angle Corner
JM-RA

Dimensions:
Variable

[Download](#)

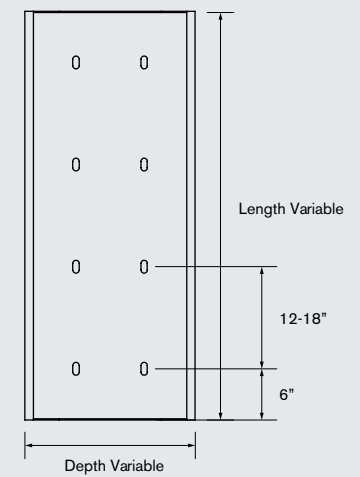
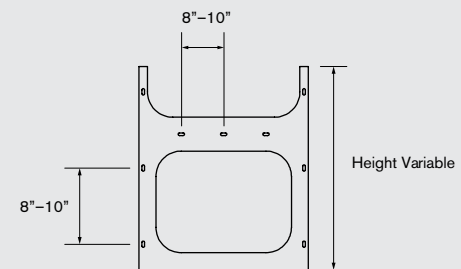


Modular

End Component
JM-TC

Dimensions:
Variable

[Download](#)

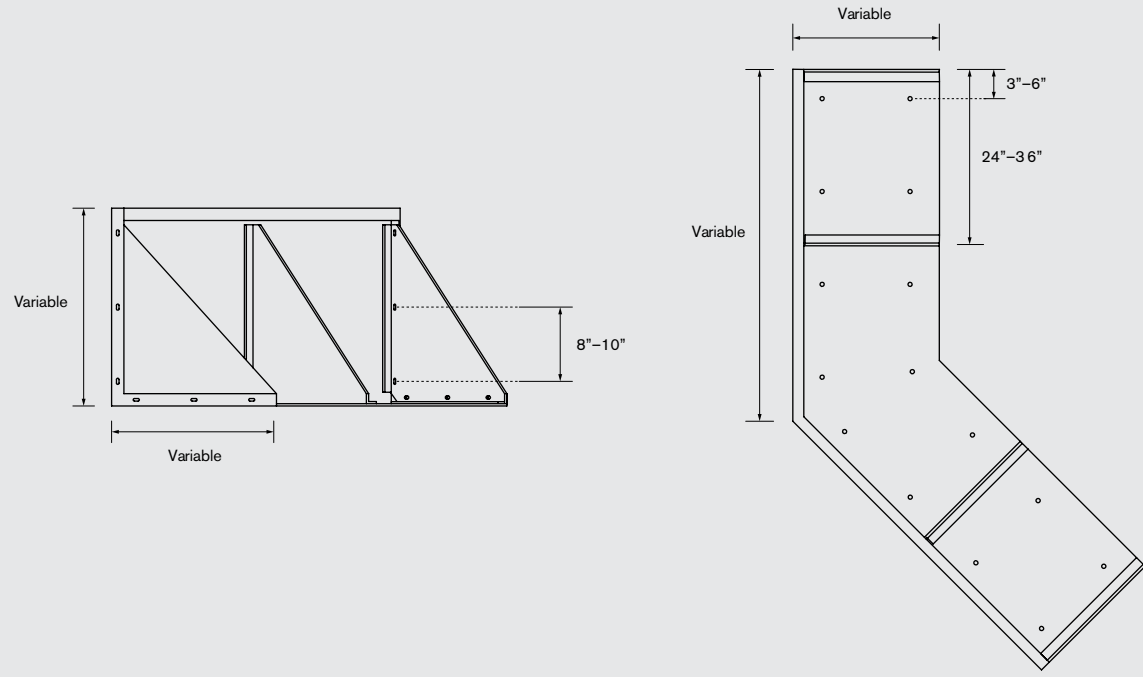


Edging

Variable Angle
JE-VA

Dimensions:
Variable, Standard Assembly

[Download](#)

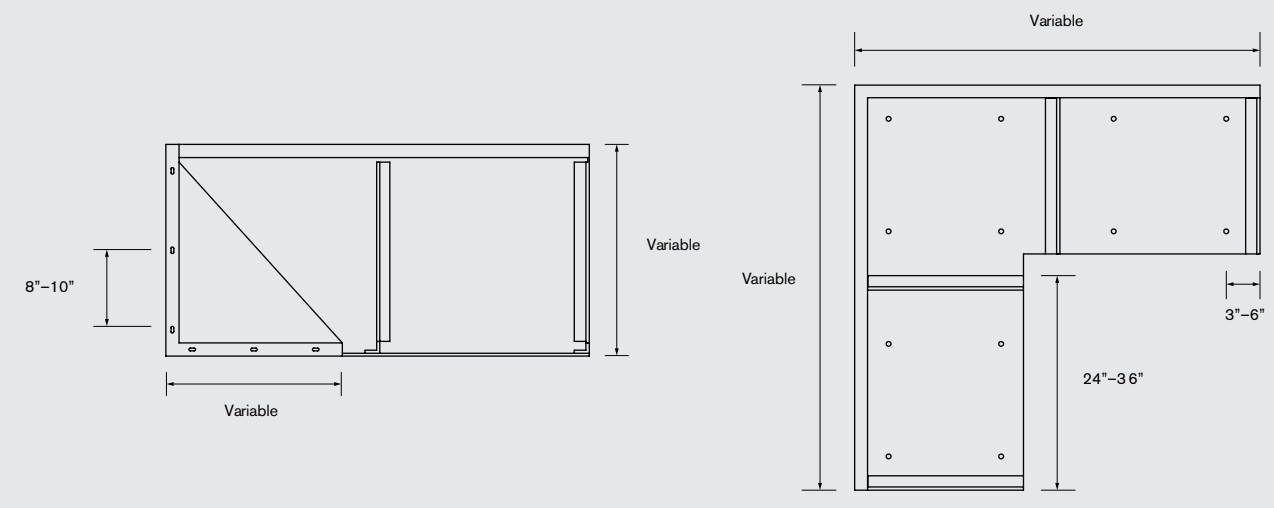


Edging

Right Angle
JE-VC

Dimensions:
Variable, Standard Assembly

[Download](#)

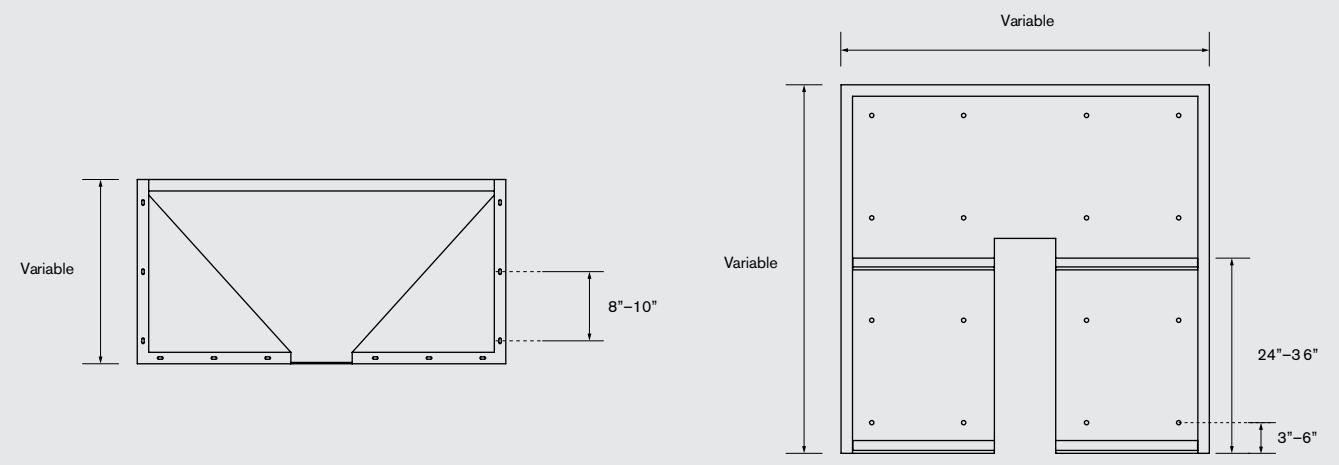


Edging

Cap
JE-C

Dimensions:
Variable, Standard Assembly

[Download](#)

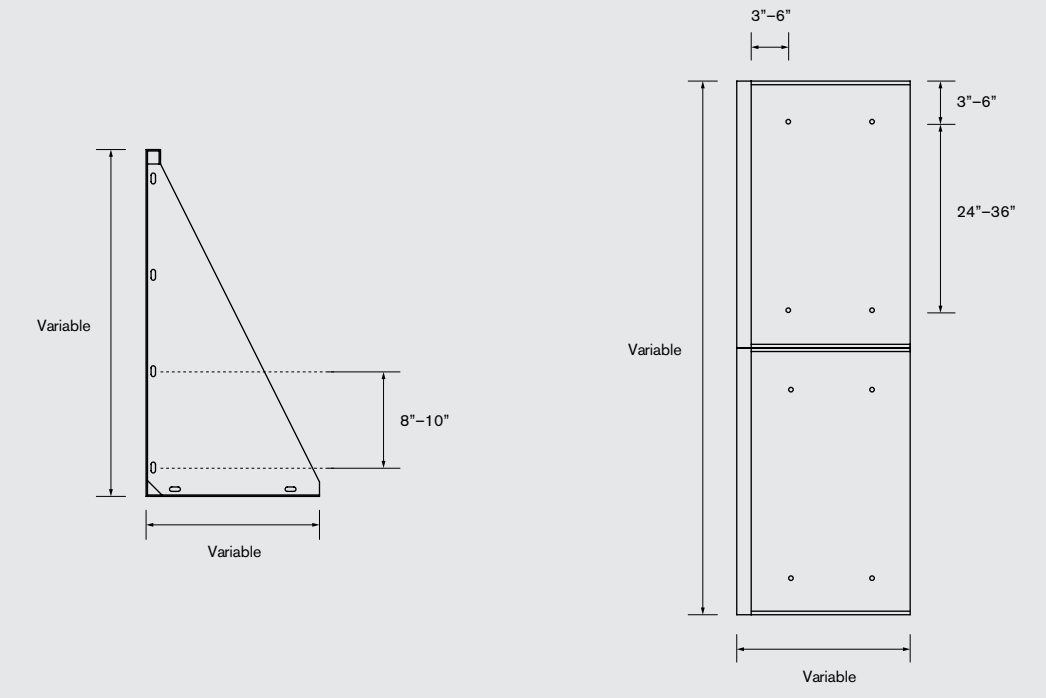


Edging

Variable Central
JE-TC

Dimensions:
Variable, Standard Assembly

[Download](#)

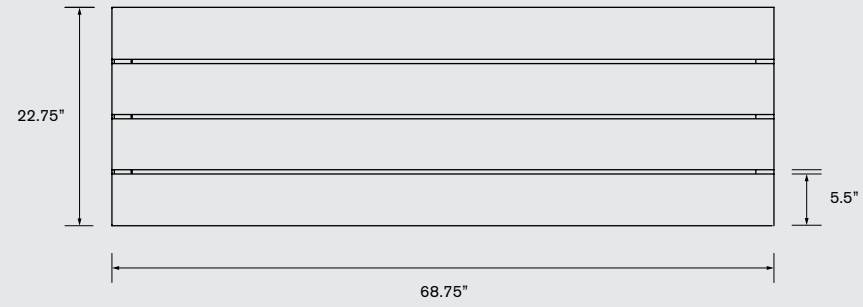
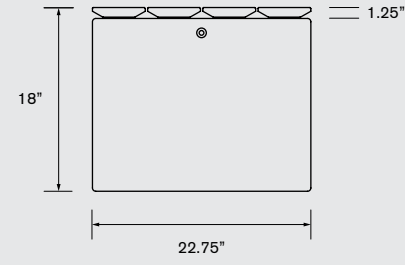


Seating

68.75 End to End Wood Placement
JS-EE-6875

Dimensions:
L 68.75" W 22.75" H 18"

[Download](#)

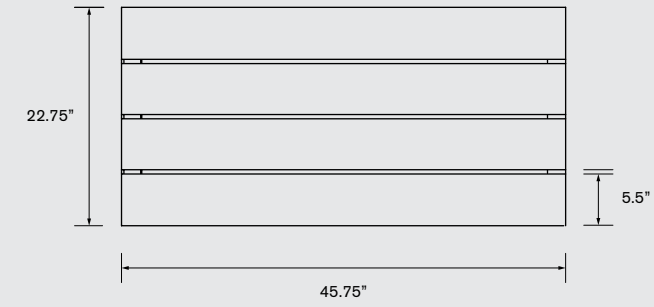
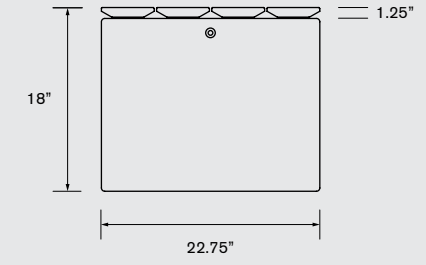


Seating

45.75 End to End Wood Placement
JS-EE-4575

Dimensions:
L 47.75" W 22.75" H 18"

[Download](#)

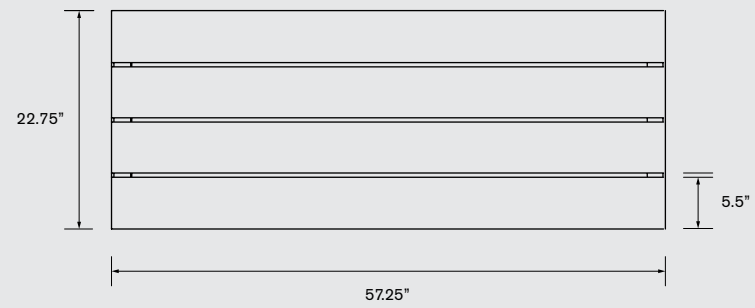
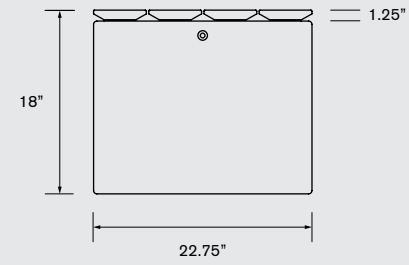
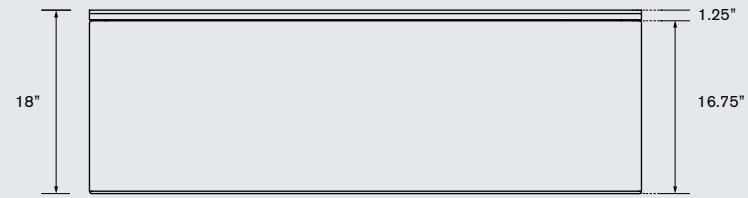


Seating

57.25 End to End Wood Placement
JS-EE-5725

Dimensions:
L 57.25" W 22.75" H 18"

[Download](#)

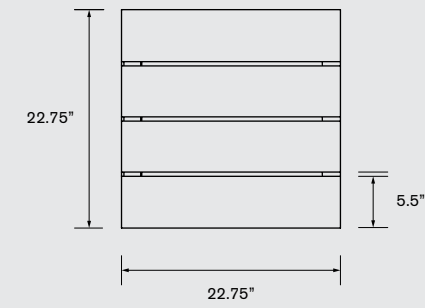
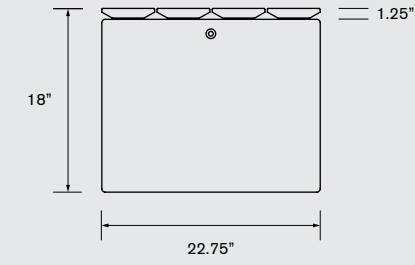
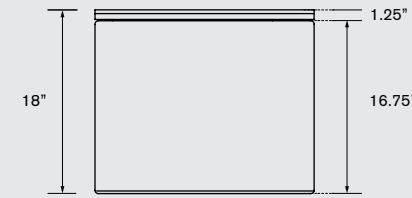


Seating

22.75 End to End Wood Placement
JS-EE-2275

Dimensions:
L 22.75" W 22.75" H 18"

[Download](#)

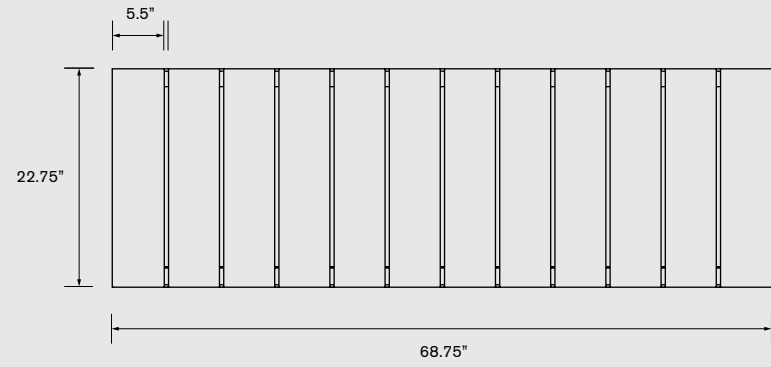
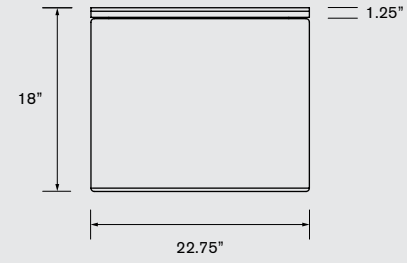
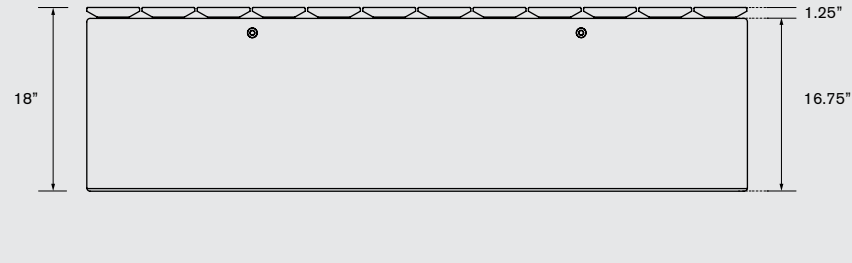


Seating

68.75 Front to Back Wood Placement
JS-FB-6875

Dimensions:
L 68.75" W 22.75" H 18"

[Download](#)

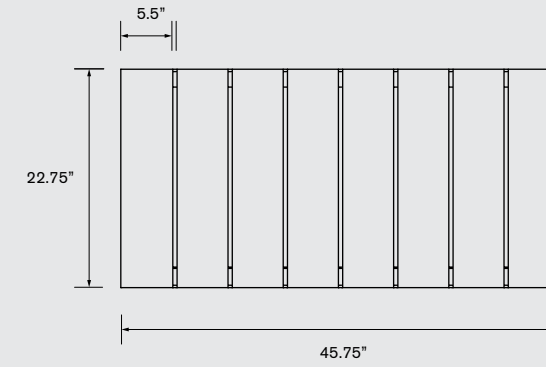
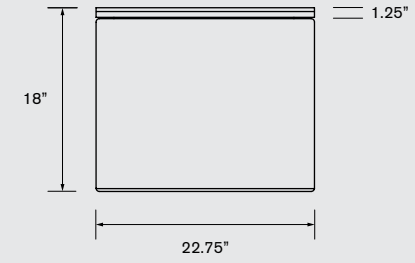
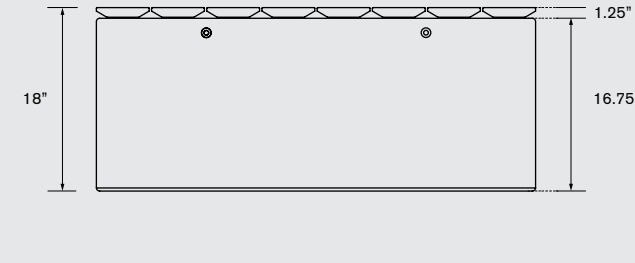


Seating

45.75 Front to Back Wood Placement
JS-FB-4575

Dimensions:
L 47.75" W 22.75" H 18"

[Download](#)

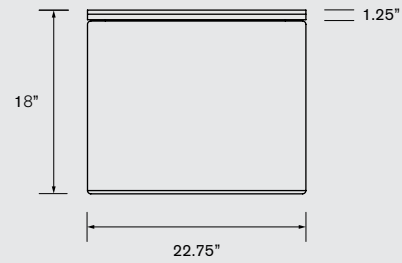
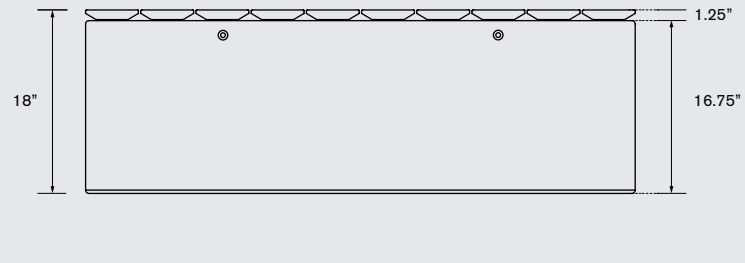


Seating

57.25 Front to Back Wood Placement
JS-FB-5725

Dimensions:
L 57.25" W 22.75" H 18"

[Download](#)

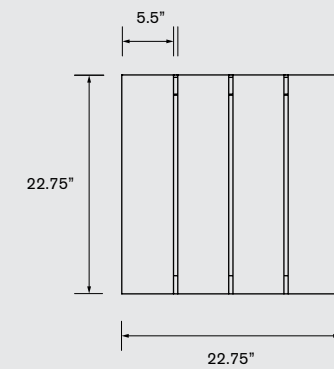
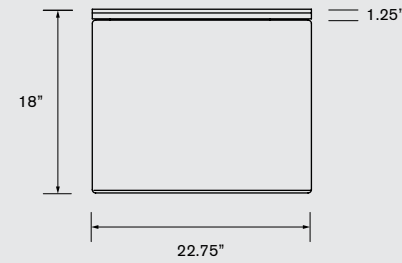
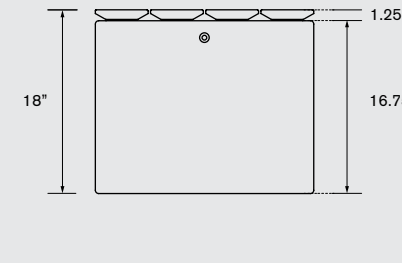


Seating

22.75 Front to Back Wood Placement
JS-FB-2275

Dimensions:
L 22.75" W 22.75" H 18"

[Download](#)



About Us

Green Theory specializes in custom planters and site furnishings for the modern landscape. Serving all of North America, our design and manufacturing standards have secured our reputation as a leader in the landscape architecture industry. As we grow, our desire to collaboratively shape the future of outdoor space remains central to our mission.

East

1523 Bell Mill Side Rd.
Tillsonburg, ON N4G 2R9

West

804 1515 Broadway St.
Port Coquitlam BC V3C 6M2

Toll Free

1 844 747 9283