

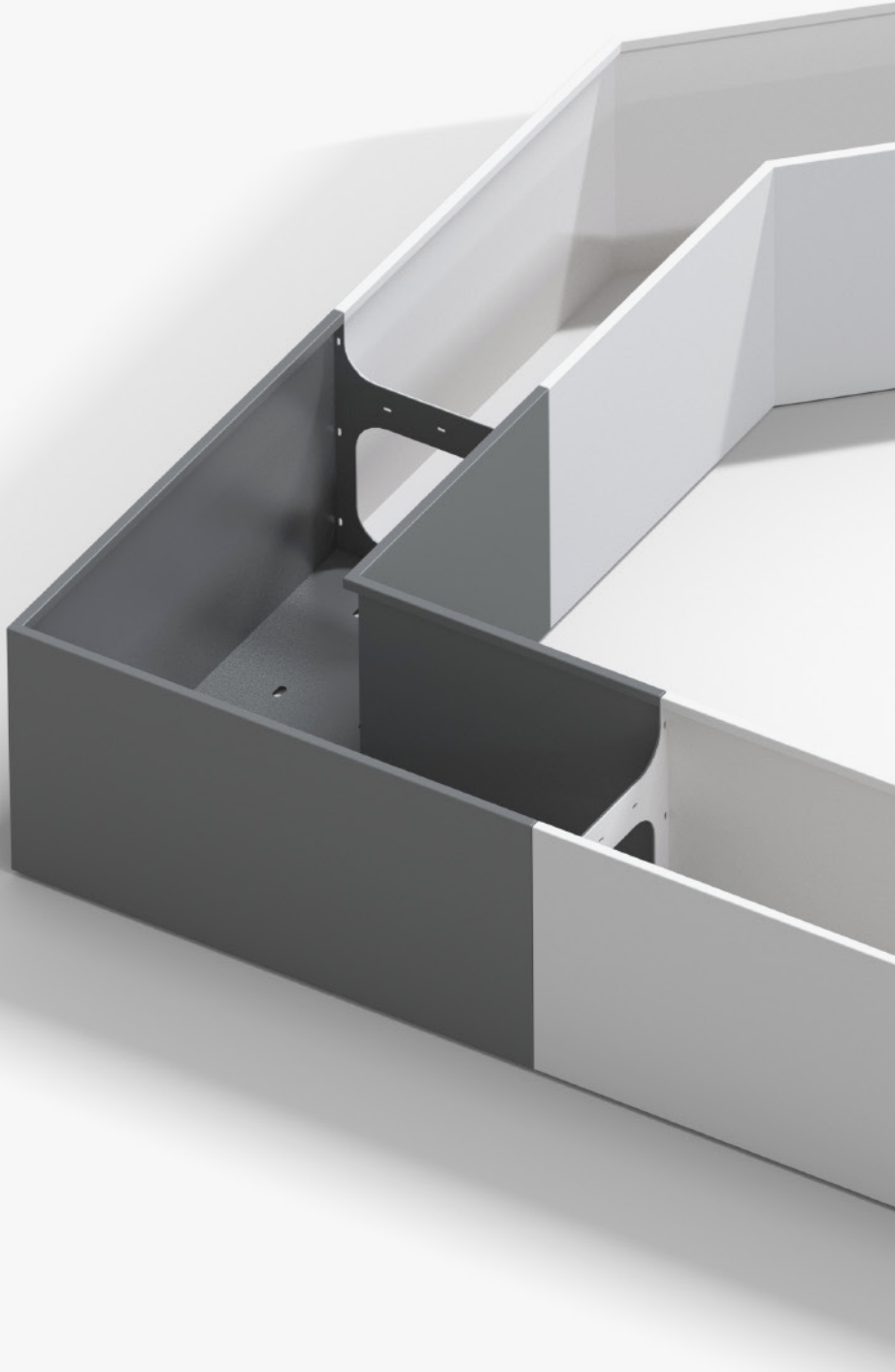
Join Modular

Right Angle Corner

- Fully Welded Construction
- AAMA 2604 Powder Coat
- Powder Coated Inside and Out
- Standard 1" Top Lip and 1" Return
- Available Drainage or Fully Sealed Bottom

How to Specify this Product

Supply drawings for custom modular projects and include product name, material, and color. Specify top lip dimensions. Specify drainage requirements.



Green Theory™

greentheorydesign.com

Date: 02 22 2022

Specification Sheet Version 1.3A

Units measured in imperial inches

Green Theory reserves the right to revise technical specifications at any time without prior notice. Correct mounting hardware and the method of mounting of the product are imperative to user safety. Use installation instructions to correctly position and install product.
©2022 Green Theory Design

Join Modular

Right Angle Corner

Materials

Made with Powder Coated Marine Grade Aluminum (0.125") or raw Weathering Steel (11 Gauge)

- 5052 Aluminum
- A 606 Weathering Steel

Standard Powder Coat

- Matte Black
- Pewter
- Gloss White
- Metallic Silver
- Smokey Beige
- Suede Bronze

Premium Powder Coat

- Obsidian
- Sandstone
- Desert
- Terra
- Dark Oak
- Smoke

Custom Powder Coat

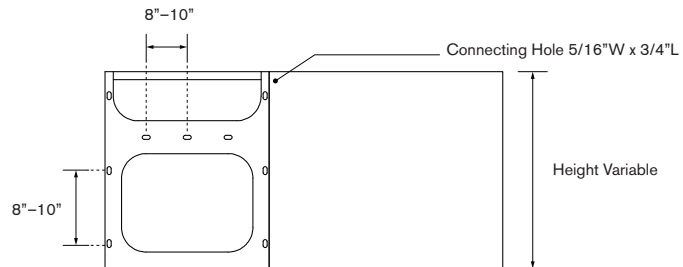
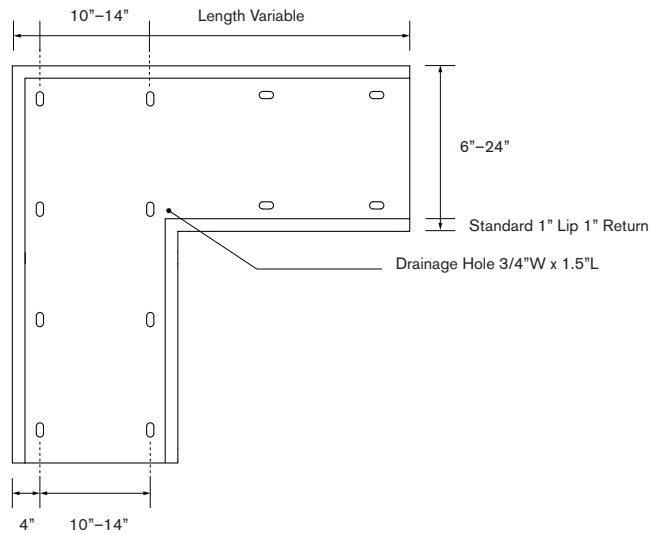
RAL _____

Additional Details

- 1" Top Lip with 1" Return
- Internal Bracing
- Insulation
- Lighting

Notes

Quantity



Green Theory™

greentheorydesign.com

Date: 02 22 2022
Specification Sheet Version 1.3A
Units measured in imperial inches

Green Theory reserves the right to revise technical specifications at any time without prior notice. Correct mounting hardware and the method of mounting of the product are imperative to user safety. Use installation instructions to correctly position and install product.
©2022 Green Theory Design