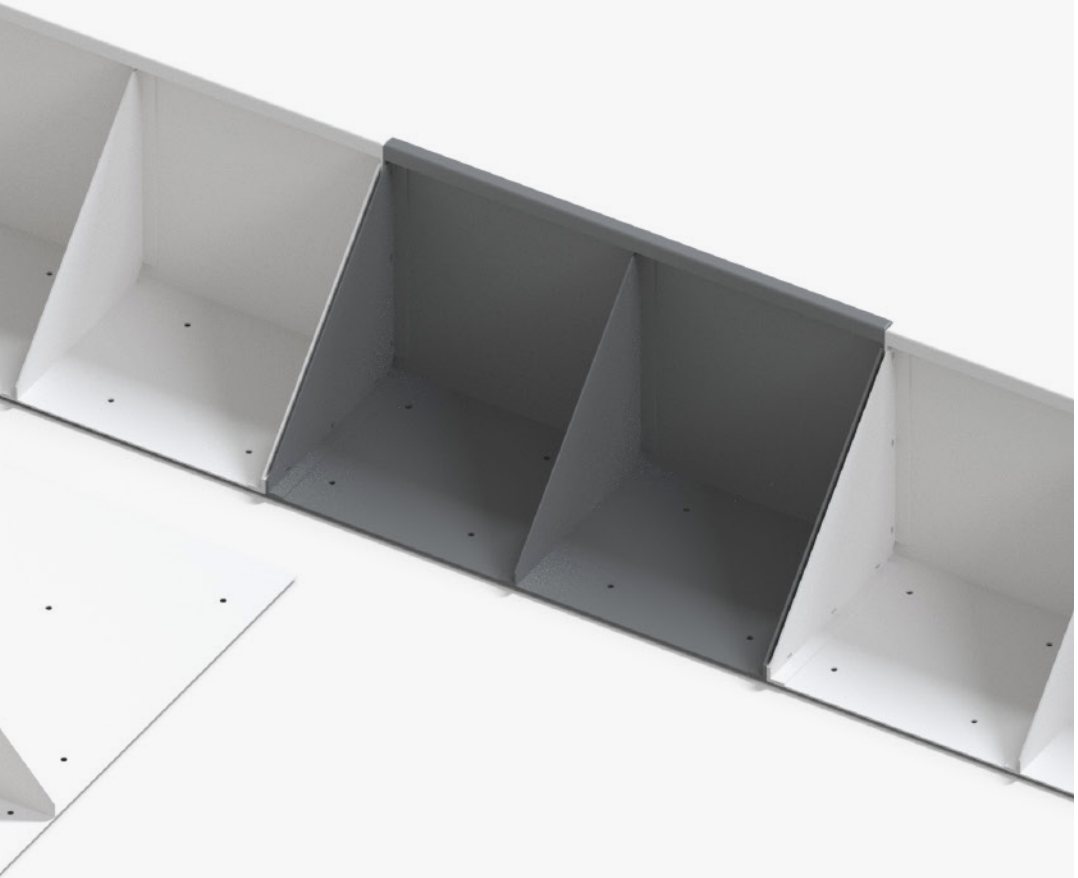


Join Edging

Variable Central

The Join System is constructed of marine grade aluminum or weathering steel. Modular planter, edging and seating profiles bolt together to create an array of small or large configurations for engaging outdoor spaces. Join is ultra versatile and can be employed to create a completely custom planter system designed specifically for a project.



Green Theory™

greentheorydesign.com

Date: 07 28 2021

Specification Sheet Version 1.2A

Units measured in imperial inches

Green Theory reserves the right to revise technical specifications at any time without prior notice. Correct mounting hardware and the method of mounting of the product are imperative to user safety. Use installation instructions to correctly position and install product.
©2021 Green Theory Design

Join Edging

Variable Central

Materials

Join Edging is made with marine grade minimum 0.125" aluminum or 11 gauge weathering steel.

- Aluminum
- Weathering Steel

Standard Powder coat

- Matte Black
- Pewter
- Gloss White
- Metallic Silver
- Smokey Beige
- Suede Bronze

Premium Powder coat

- Obsidian
- Sandstone
- Desert
- Terra
- Dark Oak
- Smoke

Custom Powder coat

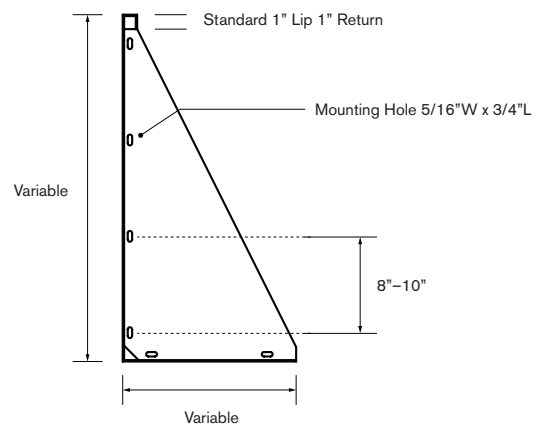
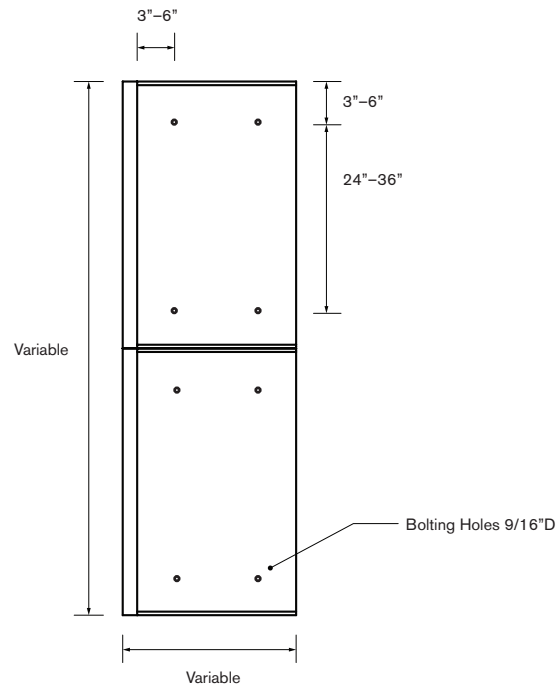
RAL _____

Additional Details

- 1" Top Lip with 1" Return
- No Drainage
- Internal Bracing
- Modular
- Kick
- Insulation
- Castors
- Lighting

Notes

Quantity



Green Theory™

greentheorydesign.com

Date: 07 28 2021
 Specification Sheet Version 1.2A
 Units measured in imperial inches

Green Theory reserves the right to revise technical specifications at any time without prior notice. Correct mounting hardware and the method of mounting of the product are imperative to user safety. Use installation instructions to correctly position and install product.
 ©2021 Green Theory Design