



# Tapered Cylinder 16 32

Tapered Cylinders are a family of all-weather planters made from powder-coated marine-grade aluminum.

**Green Theory™**

[greentheorydesign.com](http://greentheorydesign.com)

Date: 10 21 2021  
Specification Sheet Version 1.1A  
Units measured in imperial inches

Green Theory reserves the right to revise technical specifications at any time without prior notice. Correct mounting hardware and the method of mounting of the product are imperative to user safety. Use installation instructions to correctly position and install product.  
©2021 Green Theory Design

# Tapered Cylinder

## 16 32

### Materials, Finishes & Accessories

#### 5052 Aluminum

Tapered Cylinders are made with Marine Grade 5052 Aluminum

#### Standard Powder Coat

- Matte Black
- Pewter
- Gloss White
- Metallic Silver
- Smokey Beige
- Suede Bronze
- Matte Clear

#### Premium Powder Coat

- Obsidian
- Sandstone
- Desert
- Terra
- Dark Oak
- Smoke

#### Additional Finishing

- No Drainage
- Anchor Points
- No Top Lip

#### Custom Powder Coat

RAL \_\_\_\_\_

#### Notes

---

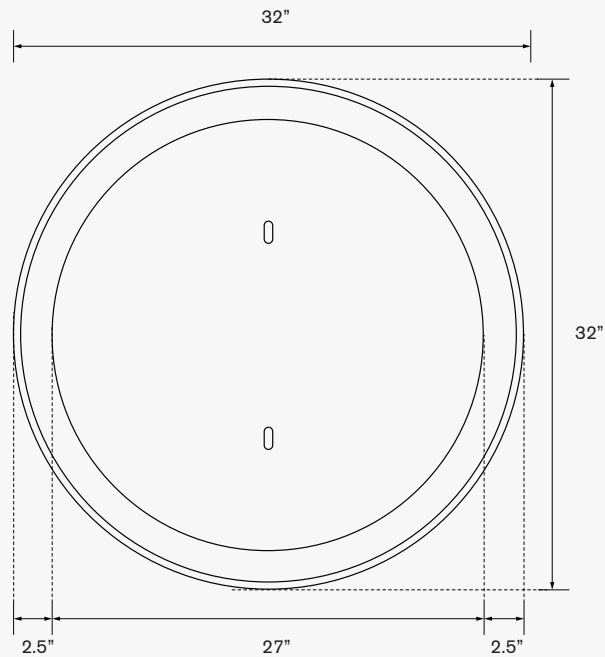
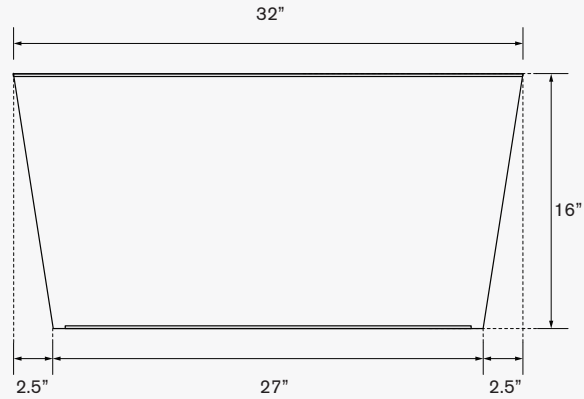
---

---

---

#### Quantity

---



# Green Theory™

[greentheorydesign.com](http://greentheorydesign.com)

Date: 10 21 2021  
Specification Sheet Version 1.1A  
Units measured in imperial inches

Green Theory reserves the right to revise technical specifications at any time without prior notice. Correct mounting hardware and the method of mounting of the product are imperative to user safety. Use installation instructions to correctly position and install product.  
©2021 Green Theory Design