

Brooklyn

36

A monolithic bench form that honors a minimal aesthetic and nods to contemporary sculpture. Available in three sizes, this bench includes a hidden mounting plate that allows for invisible fasteners and a floating profile.



Green Theory™

greentheorydesign.com

Date: 05 11 2021

Specification Sheet Version 1.2A

Units measured in imperial inches

Green Theory reserves the right to revise technical specifications at any time without prior notice. Correct mounting hardware and the method of mounting of the product are imperative to user safety. Use installation instructions to correctly position and install product.
©2021 Green Theory Design

Brooklyn

36

Materials, Finishes & Accessories

5052 Aluminum

Brooklyn Bench is made with Marine Grade 0.188" Aluminum

Standard Powder coat

- Matte Black
- Pewter
- Gloss White
- Metallic Silver
- Smokey Beige
- Suede Bronze

Premium Powder Coat

- Ultramarine
- Neon Yellow
- Matte White
- Lemon Yellow
- Black Smoke
- Matte Clear

Additional Finishing

- Black Base
- Raw Finishing (No Powder Coat)
- Laser Cut Pin Holes

Custom Powder coat

RAL _____

Notes

Quantity

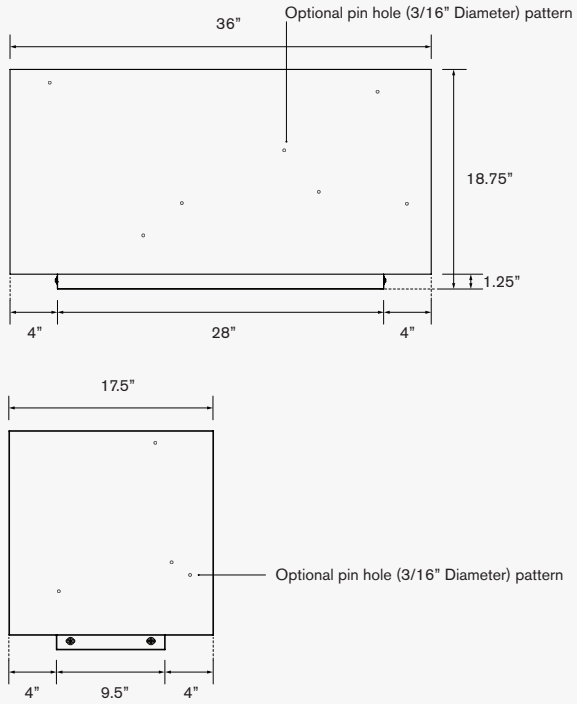
Green Theory™

greentheorydesign.com

Date: 05 11 2021
Specification Sheet Version 1.2A
Units measured in imperial inches

Green Theory reserves the right to revise technical specifications at any time without prior notice. Correct mounting hardware and the method of mounting of the product are imperative to user safety. Use installation instructions to correctly position and install product.
©2021 Green Theory Design

Outside Specifications



Section Specifications

